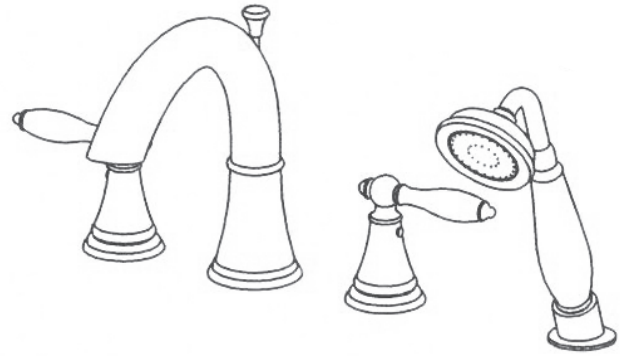


## INSTALLATION GUIDE: ROMAN TUB GROUPING



### PRODUCT SPECS AND STANDARDS:

#### DESCRIPTION:

- Brass spout
- Metal spray wand
- 1/2" IPS inlet threads

#### OPERATION:

- Requires less than 5LB force to operate valve
- 1.8 GPM (6.8 L/min Aerator) (Spray wand)

### PRODUCT SPECS AND STANDARDS:

#### STANDARDS:

- IAPMO/UPC Certified:
- ASME A112.18.1-2012/CSA B 125.1-12
- Watersense approved

#### WARRANTY:

- 25 Year drip-free warranty
- Product to be free of defects in material or workmanship

### NOTE:

While your Roman Tub grouping may differ in appearance to item shown, it will install with in the same manner.

### CLEANING INSTRUCTIONS:

Use only a clean, soft cloth, water, and mild hand soap to clean unit.

**WARNING:** Do NOT use abrasive cleaners, chemicals, or abrasive cleaning pads to clean fixture. A very hard protective coating has been applied to this product to maintain it's appearance, but this product could be damaged with improper cleaning. Failure to follow cleaning instructions will void product warranty.

### PRODUCT WARRANTY:

Windon Bay fixtures have been manufactured to our high quality standards and workmanship. **The warranty covers defects in materials and/ or workmanship to the original purchaser/home owner (warranty is not transferable to another person).** The faucet is warranted to remain drip-free during normal use. All parts and finishes will be free from manufacturing defects. With the exception of items listed below, this product has a limited warranty against defects in materials or workmanship for a period of 1 year from the date of purchase. The warranty is voided if the product is found to be misused or the following cleaning instructions were not followed. Damage due to accidents or installation is not warranted.

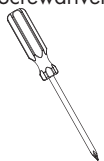
1. Valve cartridges have a limited warranty for a period of 25 years from the date of purchase. This date is stamped on the valve cartridge.
2. Product finish has a limited warranty for a period of 25 years from the date of purchase. Failure to follow the cleaning instructions listed below voids all finish warranty. Damage due to accidents or installation is not warranted.

**This warranty covers replacement of cartridges, parts and finish only.** It does not include labor charges and/or damage incurred during installation. Windon Bay will provide free of charge all parts and cartridges found to be covered under the warranty; any part that proves defective in material and/or workmanship under normal installation, use and service. Finish warranty is not covered if finish is exposed to extreme use of cleaners containing abrasives and alcohol, extreme cleaning, extreme chemical use, or any damage due to abuse or neglect (Oil Rubbed Bronze and Matte Black finish is warranted for 1 year).

\*\*Please see cleaning instructions provided with each faucet. This warranty excludes all industrial, commercial, and business usage of faucets and only pertains to single dwelling residential use. Faucets used for other than single dwelling residential use are covered by a 1-year limited warranty from the date of purchase.

### HELPFUL TOOLS

Phillips Screwdriver



Adjustable Wrench



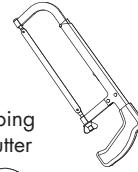
Safety Glasses



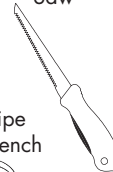
Hex Key Wrench



Hacksaw



Keyhole Saw



Thread Seal Tape



Slip Joint Wrench



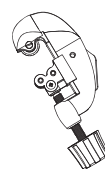
Utility Knife



Supply Hoses



Tubing Cutter

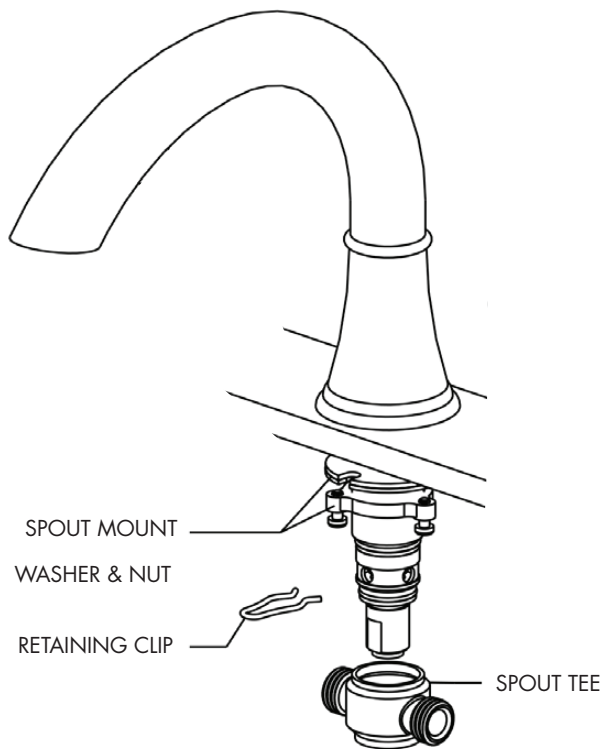


Pipe Wrench

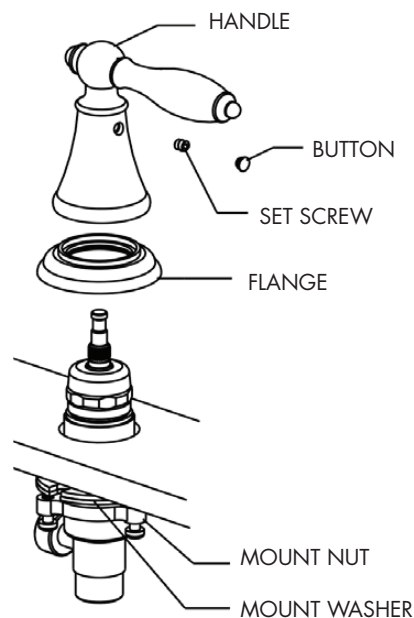


# INSTALLATION GUIDE: ROMAN TUB GROUPING

## 2 TUB SPOUT INSTALLATION



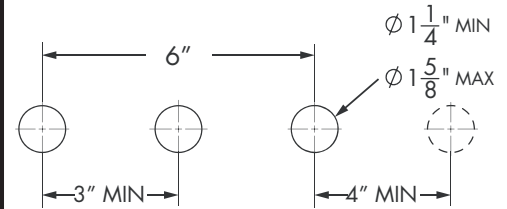
## 3 VALVE INSTALLATION



## 1 TURN OFF WATER SUPPLIES.

Ensure mounting holes are as follows:

- Four (4) Holes;  $\varnothing$  1-1/4" Min to  $\varnothing$  1-5/8" Max.
- Center distance between holes 3" min, (6" Min between Hot and Cold valve assemblies).
- Side spray holder hole location should be a minimum distance of 4" from Hot or Cold valve to assure handle lever clearance
- Surface thickness = 1" Max



## 2 TUB SPOUT INSTALLATION:

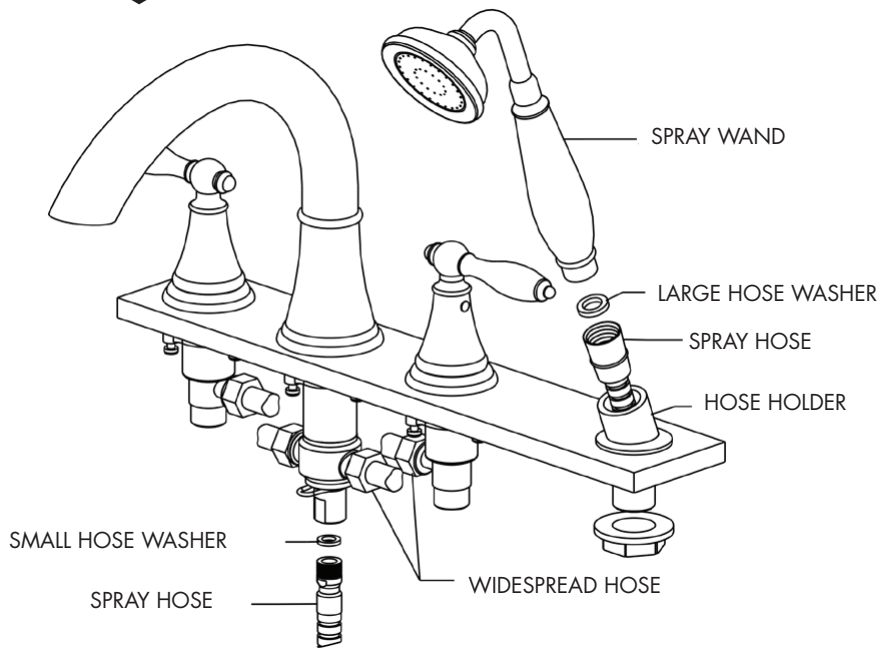
- Remove Retaining Clip from Spout Shank.
- Remove Spout Tee, Mounting Nut, and Washer from Spout Shank.
- Assemble Spout to surface.
- Re-assemble Washer and Mounting Nut and tighten to surface.
- Re-assemble Spout Tee and Retaining Clip.

## 3 VALVE INSTALLATION:

- Remove Handle and Flange from Valve assemblies.
- From below, insert bodies with Mount Nuts and Washer in surface holes.
- Assemble Valve Flanges onto bodies hand tighten.
- Tighten body Mount Nuts and Screws to secure valve bodies.
- Assemble Handles, Screws, and Buttons to mounted valves.

# INSTALLATION GUIDE: ROMAN TUB GROUPING

## 4 SPRAY HOSE INSTALLATION

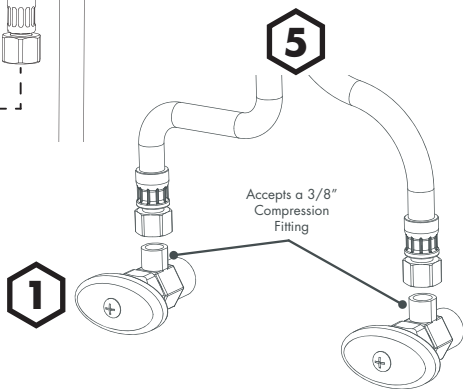
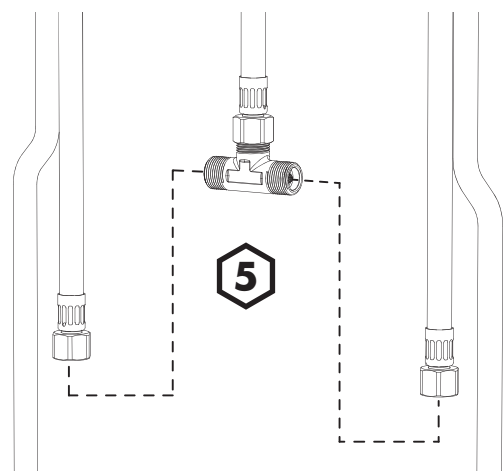


- 4 SPRAY HOSE INSTALLATION:**
- Connect Widespread Hoses to Valve Bodies and Spout Tee.
  - Assemble Hose Holder to Surface.
  - Insert Spray Hose into Hose Holder and assemble with Washer to Spout Tee.
  - Assemble Spray Wand with Washer to Spray Hose.

- 5 ASSEMBLE WATER SUPPLY LINES.**  
Connect water supply lines to valve bodies. Caution: Use wrench or pliers to hold faucet inlet adapters when tightening supply line nuts to prevent twisting copper tubing or damaging solder joints.

- 6 TURN ON WATER AND FLUSH THE SYSTEM.**  
Flush lines thoroughly in tub flow diverter position.

- 7 CONFIRM PROPER INSTALLATION**  
Check for leaks and proper operation. Lift Diverter Rod to activate Hand Shower.



\*SUPPLY STOPS NOT INCLUDED



### CALIFORNIA PROPOSITION 65:

**WARNING:** This product can expose you to chemicals including lead, which is known to the State of California to cause cancer and birth defects or other reproductive harm. For more information go to [www.P65Warnings.ca.gov](http://www.P65Warnings.ca.gov).

**Wash hands after installation, repair, or removal of this product.**