

WO132C

Hilo Two Handle Widespread Bathroom Faucet
w/ Pop-up



MODELS:

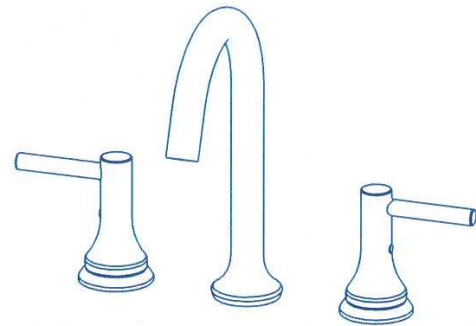
- W0132C: Chrome
- W0132BN: Brush Nickel

FAUCET CONSTRUCTION:

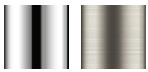
- Ceramic disc cartridges.
- Stainless steel braided flexible hose waterway connections.
- Plated cast brass spout.
- Plated metal handles.
- Brass supply connections with 1/2" IPS threads.

OPERATION:

- Twin lever handles.
- Handles require less than 5 lb. force to operate valve.
- 90° turn from full off to full on.
- 1.2 GPM (4.5 L/min) aerator.



STOCK FINISH:



PC BN

STANDARDS:

IAPMO/UPC CERTIFIED:

- ASME A112.18.1-2012/CSA B125.1-12
- NSF/ANSI 61-2012
- NSF/ANSI 372-2011 (LEAD FREE)
- WATERSENSE



MOUNTING SURFACE REQUIREMENTS:

- Surface thickness 1" maximum.
- Three (1-1/4" min to 1-1/2" max dia) holes.

Information continues on next page

All dimensions are in inches (millimeters) unless otherwise specified and are subject to change without notice.

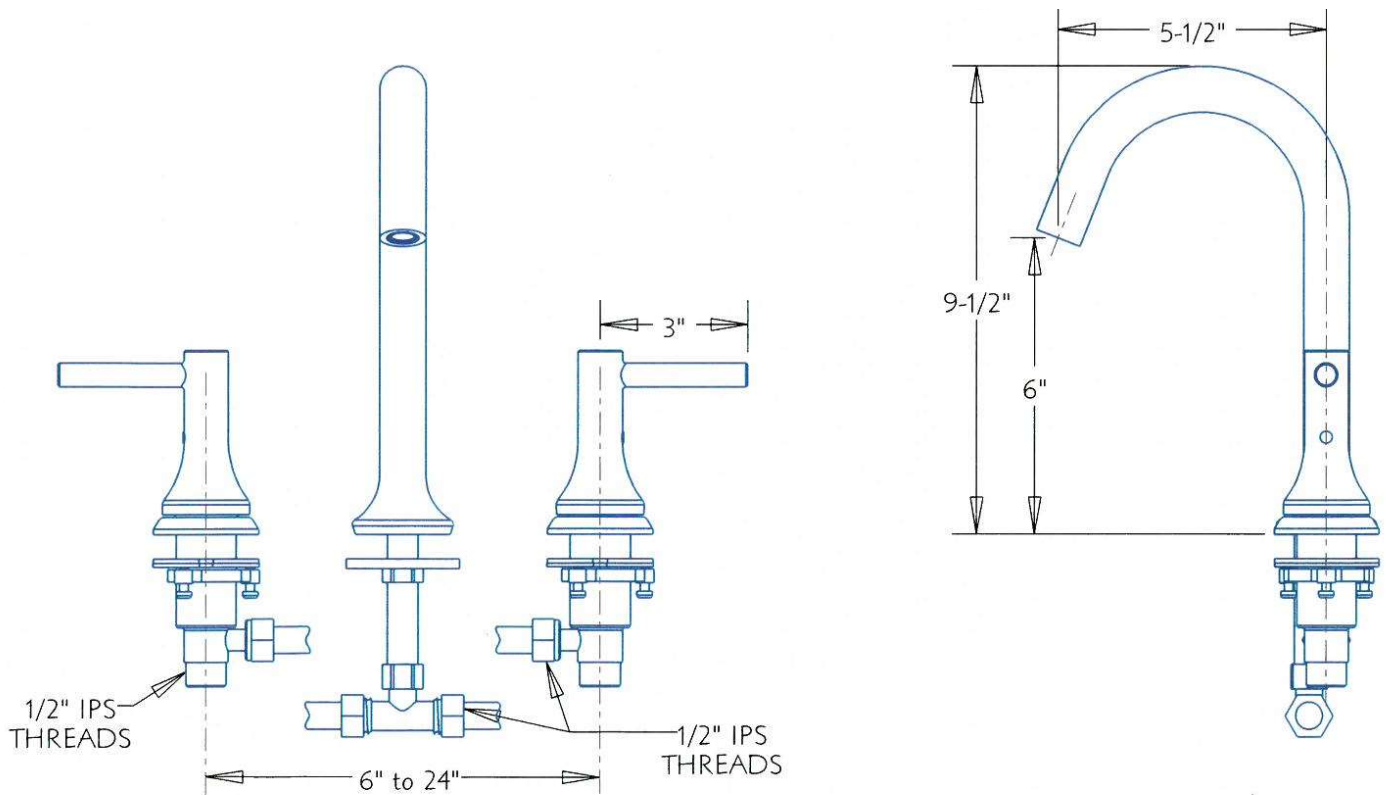
Architect/Engineer Approval Space:

P: 800-537-2107
F: 800-977-2747
W: WWW.SPEAKMAN.COM
R: 01-FEBRUARY 2018

WO132C

Hilo Two Handle Widespread Bathroom Faucet
w/ Pop-up

WINDON BAY



All dimensions are in inches (millimeters) unless otherwise specified and are subject to change without notice.

Architect/Engineer Approval Space:

P: 800-537-2107
F: 800-977-2747
W: WWW.SPEAKMAN.COM
R: 01-FEBRUARY 2018