

W0150C

Hilo Single Handle Kitchen Faucet, Less Spray

WINDON BAY

MODELS:

- W0150C: Chrome
- W0150BN: Brush Nickel

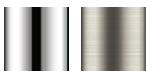
FAUCET CONSTRUCTION:

- Ceramic disk cartridges.
- Plated solid brass body.
- Plated tubular brass spout
- Plated metal handle
- 1/2" IPS threaded brass inlets.

OPERATION:

- Single lever handle.
- Lever handle requires less than 5 lb force to operate valve.
- 1.8 GPM (6.8 L/min) aerator.

STOCK FINISH:



PC BN

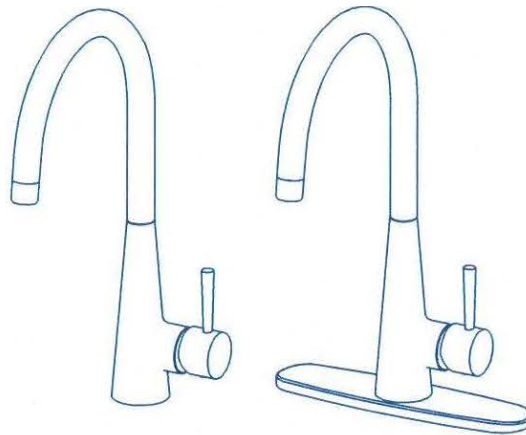
STANDARDS:

IAPMO/UPC CERTIFIED:

- ASME A112.18.1-2012/CSA B125.1-12
- NSF/ANSI 61-2012
- NSF/ANSI 372-2011 (LEAD FREE)

MOUNTING SURFACE REQUIREMENTS:

- Surface thickness 1-3/4" maximum.
- One (1-3/8" min to 1-5/8" max dia) hole.
- Body diameter measures 2" for single hole mount applications.



Information continues on next page

All dimensions are in inches (millimeters) unless otherwise specified and are subject to change without notice.

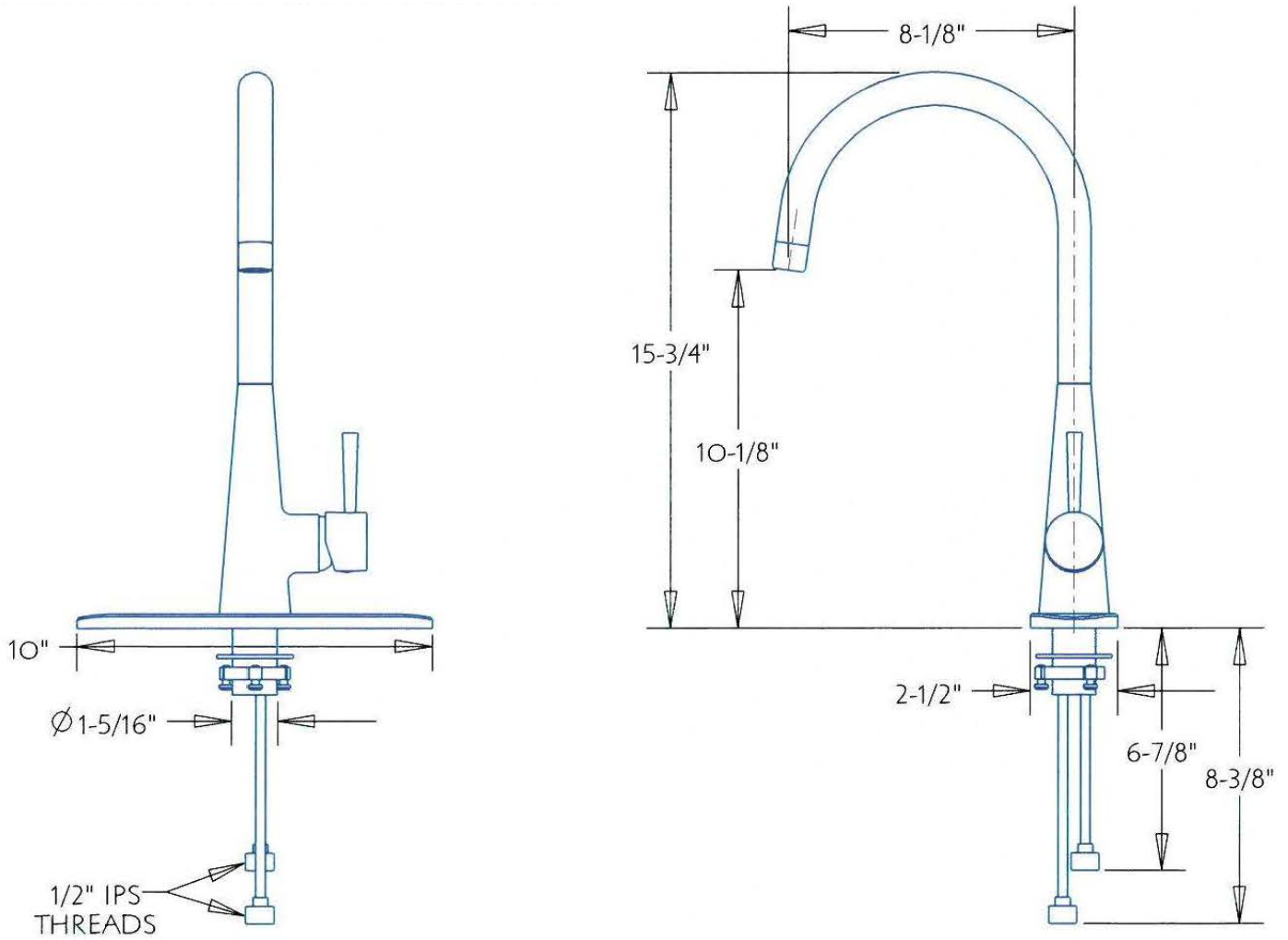
Architect/Engineer Approval Space:

P: 800-537-2107
F: 800-977-2747
W: WWW.SPEAKMAN.COM
R: 01-DECEMBER 2018

WO150C

Hilo Single Handle Kitchen Faucet, Less Spray

WINDON BAY



All dimensions are in inches (millimeters) unless otherwise specified and are subject to change without notice.

Architect/Engineer Approval Space:

P: 800-537-2107
F: 800-977-2747
W: WWW.SPEAKMAN.COM
R: 01-DECEMBER 2018