

# W1110C

Chesapeake Single Handle Lavatory Faucet

WINDON BAY

## MODELS:

---

- W1110C: Chrome
- W1110BN: Brush Nickel
- W1110MB: Matte Black

## FAUCET CONSTRUCTION:

---

- 26mm ceramic disc cartridge.
- Chrome plated brass body.
- Chrome plated metal handle.
- Chrome plated metal deck plate.
- Brass supply connections with 1/2" IPS threads.

## OPERATION:

---

- Single lever handle.
- Handles require less than 5 lb force to operate valve.
- 1.2 GPM (4.5 L/min) aerator.

## STOCK FINISH:

---



PC BN MB

## STANDARDS:

---

IAPMO/UPC CERTIFIED:

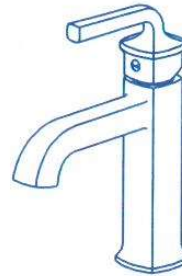
- ASME A112.18.1-2012/CSA B125.1-12
- NSF/ANSI 61-2012
- NSF/ANSI 372-2011 (LEAD FREE)
- WATERSENSE

## MOUNTING SURFACE REQUIREMENTS:

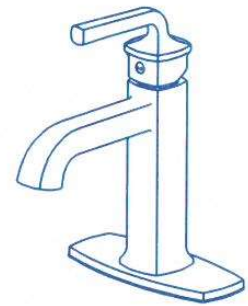
---

- Surface thickness 2-1/2" maximum.
- 1-1/8" min to 1-1/2" max dia hole.

SINGLE HOLE MOUNT



THREE HOLE MOUNT



Information continues on next page

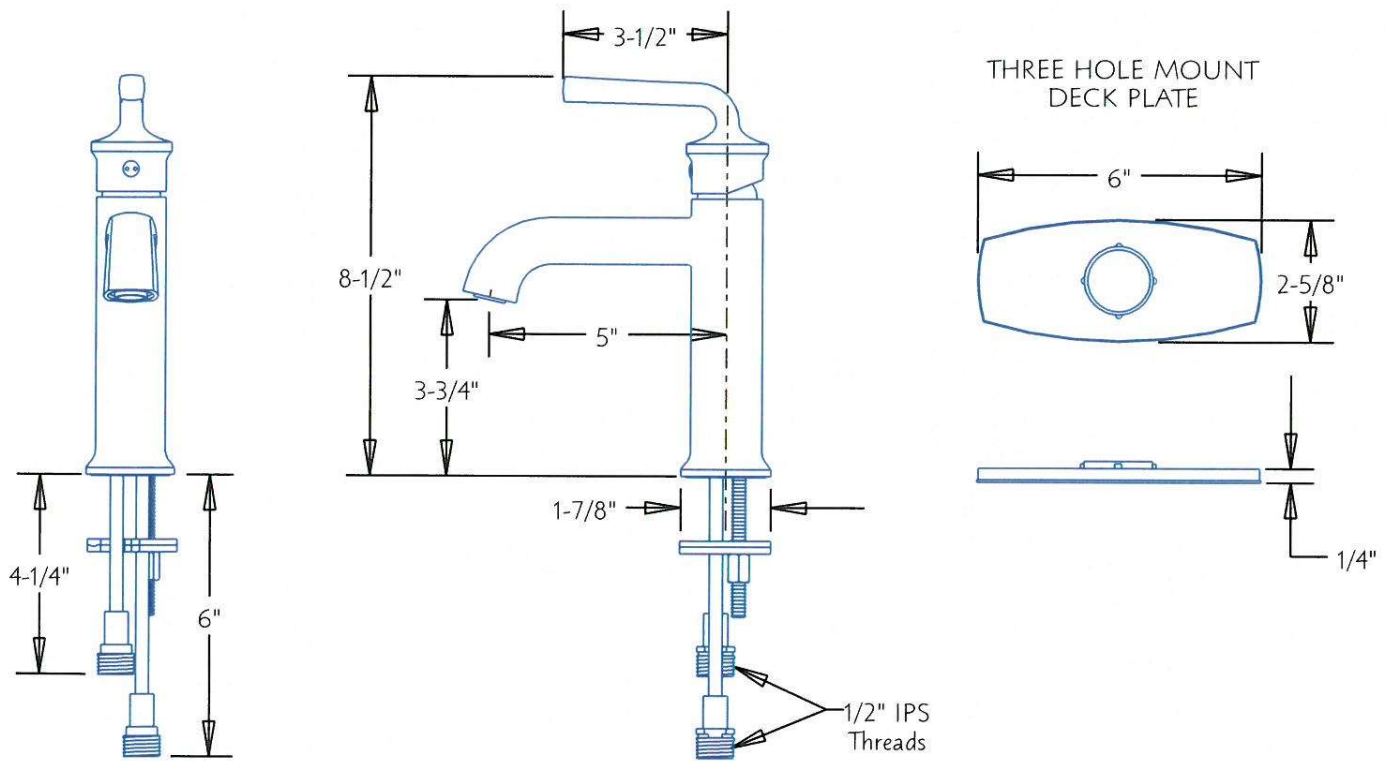
All dimensions are in inches (millimeters) unless otherwise specified and are subject to change without notice.

Architect/Engineer Approval Space:

P: 800-537-2107  
F: 800-977-2747  
W: WWW.SPEAKMAN.COM  
R: 01-DECEMBER 2018

# W1110C

Chesapeake Single Handle Lavatory Faucet



All dimensions are in inches (millimeters) unless otherwise specified and are subject to change without notice.

Architect/Engineer Approval Space:

P: 800-537-2107  
F: 800-977-2747  
W: WWW.SPEAKMAN.COM  
R: 01-DECEMBER 2018