

W1122C

Chesapeake Twin Lever 4" Centerset Lavatory Faucet

WINDON BAY

MODELS:

- W1122C: Chrome
- W1122BN: Brush Nickel
- W1122MB: Matte Black

FAUCET CONSTRUCTION:

- Ceramic disc cartridges.
- Cast brass one piece underbody.
- Brass chrome plated spout.
- Chrome plated metal handles.
- Brass supply connections with 1/2" IPS threads.

OPERATION:

- Twin lever handles.
- Handles require less than 5 lb force to operate valve.
- 90° turn from full off to full on.
- 1.2 GPM (4.5 L/min) aerator.

STOCK FINISH:



PC BN MB

STANDARDS:

IAPMO/UPC CERTIFIED:

- ASME A112.18.1-2012/CSA B125.1-12
- NSF/ANSI 61-2012
- NSF/ANSI 372-2011 (LEAD FREE)
- WATERSENSE

MOUNTING SURFACE REQUIREMENTS:

- Surface thickness 1/8" min to 1-1/4" maximum.
- Two (1-1/8" min to 1-5/8" max dia) holes 4" on center.



Information continues on next page

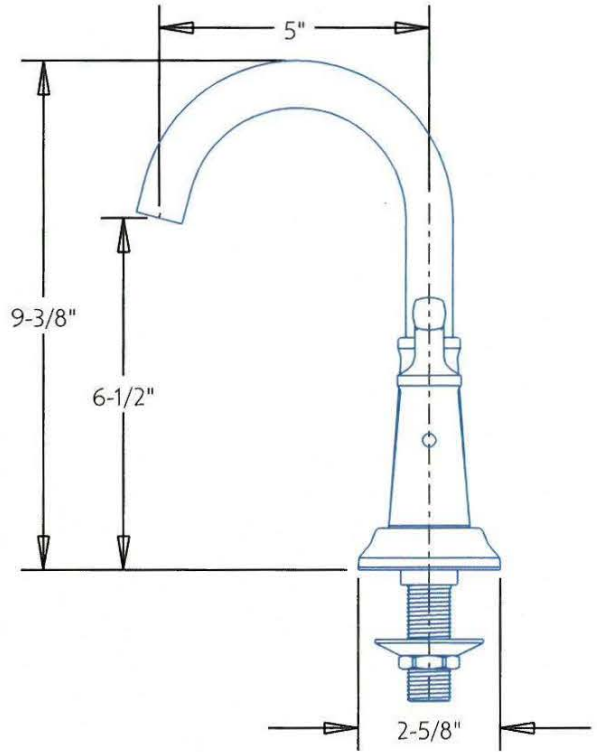
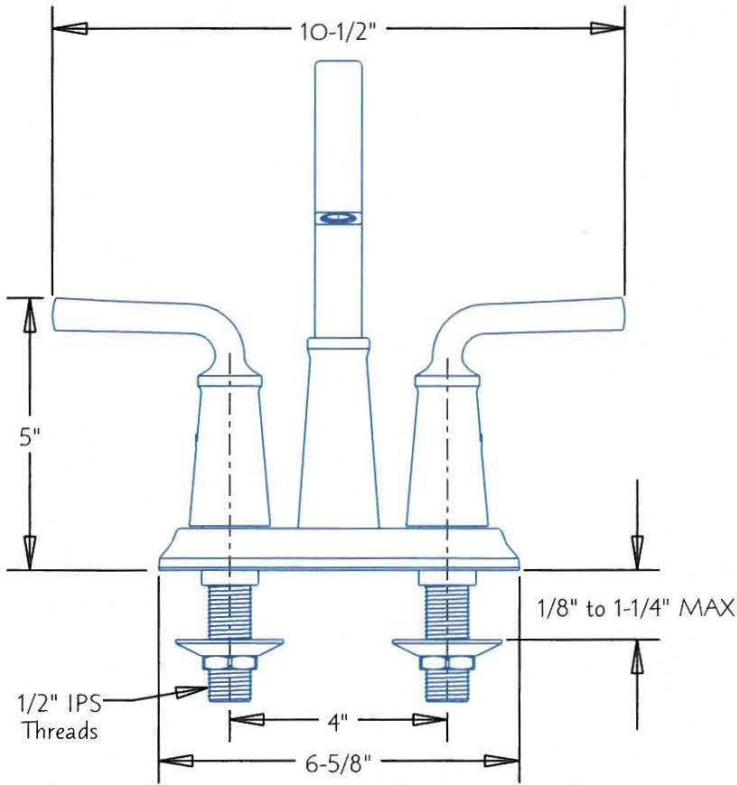
All dimensions are in inches (millimeters) unless otherwise specified and are subject to change without notice.

Architect/Engineer Approval Space:

P: 800-537-2107
F: 800-977-2747
W: WWW.SPEAKMAN.COM
R: 01-DECEMBER 2018

W1122C

Chesapeake Twin Lever 4" Centerset Lavatory Faucet



All dimensions are in inches (millimeters) unless otherwise specified and are subject to change without notice.

Architect/Engineer Approval Space:

P: 800-537-2107
F: 800-977-2747
W: WWW.SPEAKMAN.COM
R: 01-DECEMBER 2018