

W1132C

Chesapeake Twin Lever 8" Widespread Lavatory Faucet

WINDON BAY

MODELS:

- W1132C: Chrome
- W1132BN: Brush Nickel
- W1132MB: Matte Black

FAUCET CONSTRUCTION:

- Ceramic disc cartridges.
- Brass wide spread underbodies.
- Stainless steel braided flexible hose waterway connections.
- Brass chrome plated spout.
- Chrome plated metal handles.
- Brass supply connections with 1/2" IPS threads.

OPERATION:

- Twin lever handles.
- Handles require less than 5 lb force to operate valve.
- 90° turn from full off to full on.
- 1.2 GPM (4.5 L/min) aerator.

STOCK FINISH:



PC BN MB

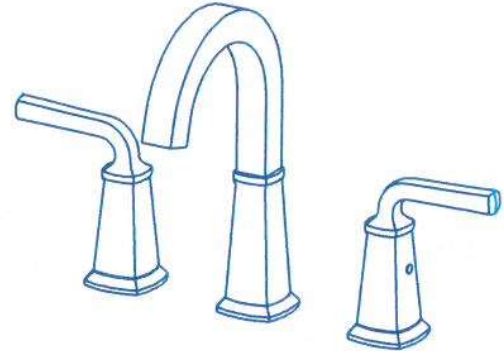
STANDARDS:

IAPMO/UPC CERTIFIED:

- ASME A112.18.1-2012/CSA B125.1-12
- NSF/ANSI 61-2012
- NSF/ANSI 372-2011 (LEAD FREE)
- WATERSENSE

MOUNTING SURFACE REQUIREMENTS:

- Surface thickness 1" maximum.
- Three (1-1/4" min. To 1-1/2" max. dia) holes,
- 6" on centers min. Between hot & cold valve bodies.



Information continues on next page

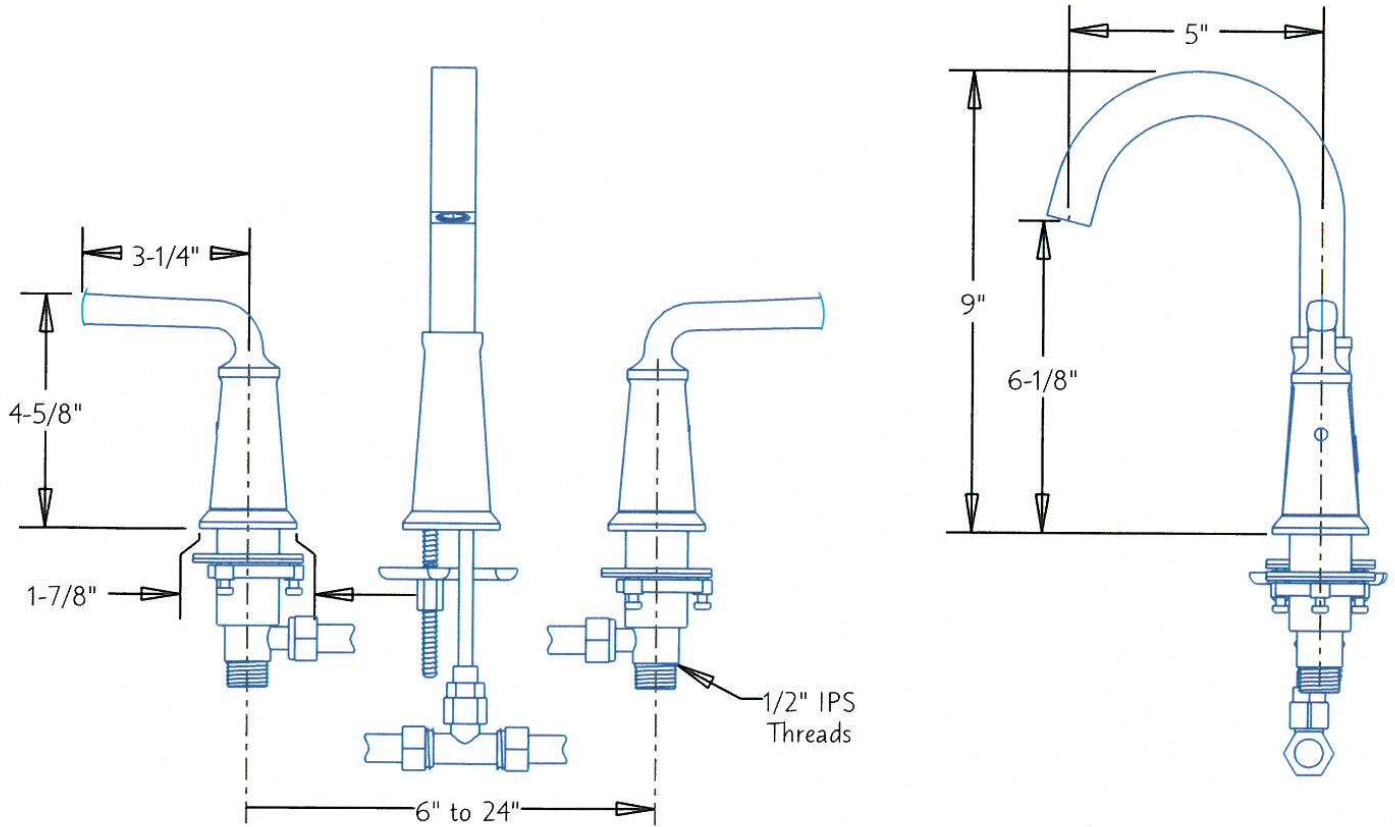
All dimensions are in inches (millimeters) unless otherwise specified and are subject to change without notice.

Architect/Engineer Approval Space:

P: 800-537-2107
F: 800-977-2747
W: WWW.SPEAKMAN.COM
R: 01-DECEMBER 2018

W1132C

Chesapeake Twin Lever 8" Widespread Lavatory Faucet



All dimensions are in inches (millimeters) unless otherwise specified and are subject to change without notice.

Architect/Engineer Approval Space:

P: 800-537-2107
F: 800-977-2747
W: WWW.SPEAKMAN.COM
R: 01-DECEMBER 2018