

W1151C

Chesapeake Pull Down Lever Kitchen Faucet

MODELS:

- W1151C: Chrome
- W1151BN: Brush Nickel
- W1151MB: Matte Black

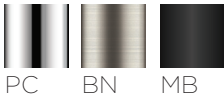
FAUCET CONSTRUCTION:

- 25mm ceramic disc cartridge.
- Brass underbody with copper supplies.
- Chrome plated metal body.
- Chrome plated metal handle.
- Chrome plated metal deck plate.
- Brass supply connections with 1/2" IPS threads.

OPERATION:

- Single lever handle.
- Handles require less than 5 lb force to operate valve.
- 1.8 GPM (4.5 L/min) aerator.

STOCK FINISH:



STANDARDS:

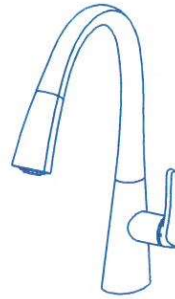
IAPMO/UPC CERTIFIED:

- ASME A112.18.1-2012/CSA B125.1-12
- NSF/ANSI 61-2012
- NSF/ANSI 372-2011 (LEAD FREE)

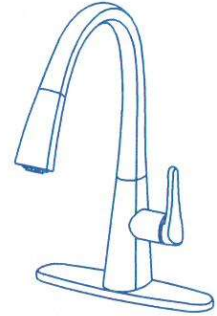
MOUNTING SURFACE REQUIREMENTS:

- Surface thickness 1-3/4" maximum.
- 1-3/8" min to 1-5/8" max dia hole.

SINGLE HOLE MOUNT



THREE HOLE MOUNT



Information continues on next page

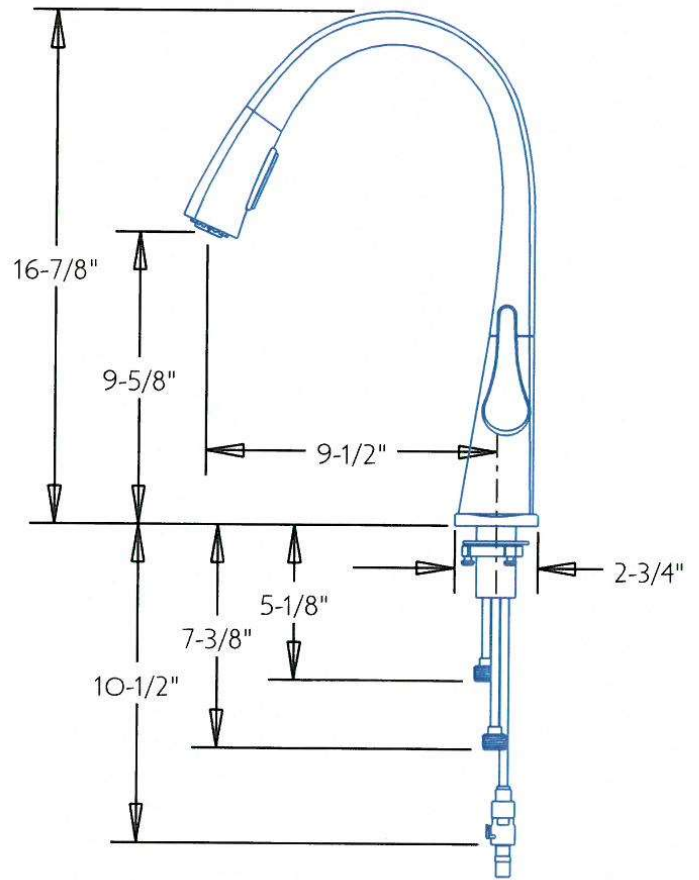
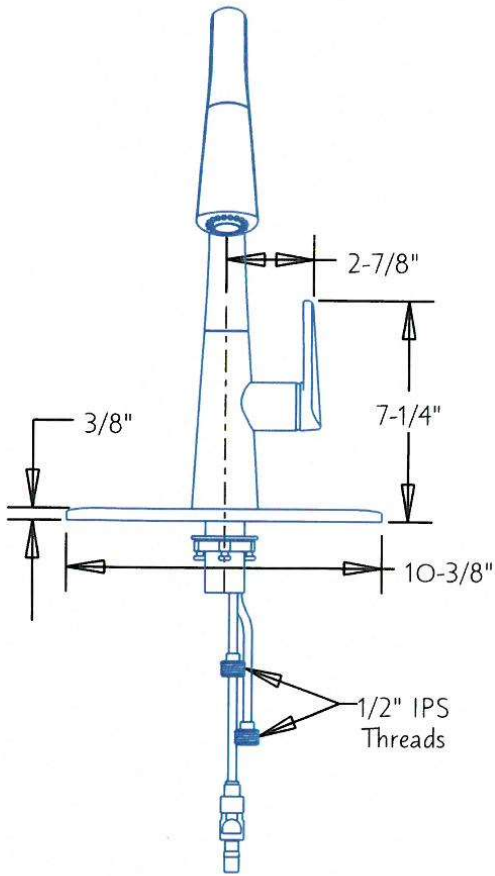
All dimensions are in inches (millimeters) unless otherwise specified and are subject to change without notice.

Architect/Engineer Approval Space:

P: 800-537-2107
F: 800-977-2747
W: WWW.SPEAKMAN.COM
R: 01-DECEMBER 2018

W1151C

Chesapeake Pull Down Lever Kitchen Faucet



All dimensions are in inches (millimeters) unless otherwise specified and are subject to change without notice.

Architect/Engineer Approval Space:

P: 800-537-2107
F: 800-977-2747
W: WWW.SPEAKMAN.COM
R: 01-DECEMBER 2018