

W5151C

Sarana Single Handle Kitchen Faucet, Pull-Out Spray



MODELS:

- W5151C: Chrome
- W5151BN: Brush Nickel

FAUCET CONSTRUCTION:

- 35mm ceramic disc with hot limit adjustment ring.
- Brass body with copper supplies.
- Brass supply connection adapters with 1/2" IPS threads.
- Zamac#3 chrome plated metal handle.

OPERATION:

- Single control lever handle.
- Requires less than 5 lb force to operate valve.
- Temperature adjustment 90° from full hot to full cold.
- 1.8 GPM (6.8 L/min) aerator.

STOCK FINISH:



PC BN

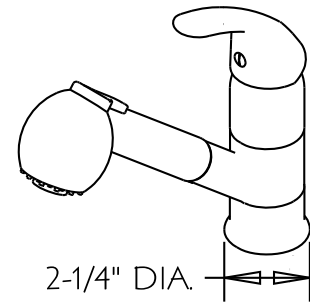
STANDARDS:

IAPMO/UPC CERTIFIED:

- ASME A112.18.1-2012/CSA B125.1-12
- NSF/ANSI 61-2012
- NSF/ANSI 372-2011 (LEAD FREE)

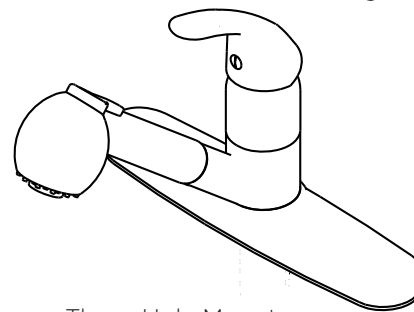
MOUNTING SURFACE REQUIREMENTS:

- Surface thickness 1-3/4" maximum.
- Three (1-3/8" min to 1-5/8" max dia.) holes 4" on centers.



2-1/4" DIA.

Single-Hole Mount



Three-Hole Mount



Information continues on next page

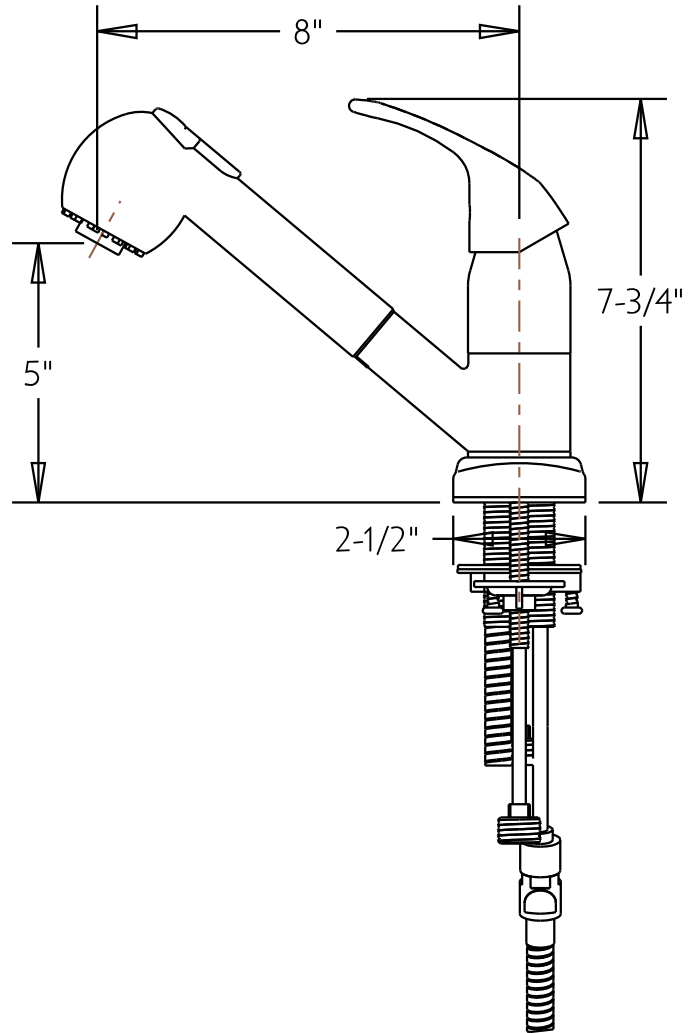
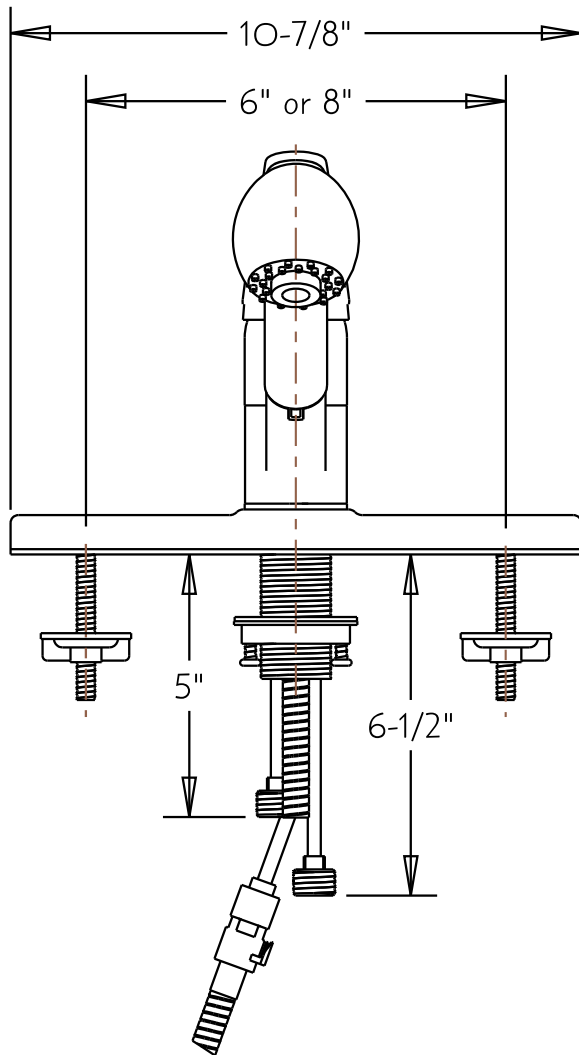
All dimensions are in inches (millimeters) unless otherwise specified and are subject to change without notice.

Architect/Engineer Approval Space:

P: 800-537-2107
F: 800-977-2747
W: WWW.SPEAKMAN.COM
R: 01-FEBRUARY 2018

WO132C

Hilo Two Handle Widespread Bathroom Faucet
w/ Pop-up



All dimensions are in inches (millimeters) unless otherwise specified and are subject to change without notice.

Architect/Engineer Approval Space:

P: 800-537-2107
F: 800-977-2747
W: WWW.SPEAKMAN.COM
R: 01-FEBRUARY 2018