

# W5155C

Sarana Single Handle Kitchen Faucet w/ Hi-Rise Spout, Side Spray

## MODELS:

---

- W5155C: Chrome
- W5155BN: Brush Nickel

## FAUCET CONSTRUCTION:

---

- 35mm ceramic disk cartridge with hot limit adj ring.
- Low lead brass body and spout with 18" flexible hose.
- Zamac #3 chrome plated metal handle.
- Brass supply connection adapters with 1/2" IPS threads.

## OPERATION:

---

- Single control lever handle.
- Requires less than 5 lb force to operate valve.
- Temp. Adjustment 90° from full hot to full cold.
- 1.8 GPM (6.8 L/min) aerator.

## STOCK FINISH:

---



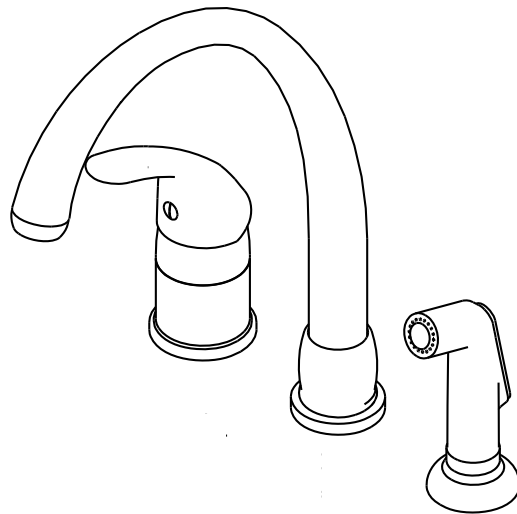
PC BN

## STANDARDS:

---

IAPMO/UPC CERTIFIED:

- ASME A112.18.1-2012/CSA B125.1-12
- NSF/ANSI 61-2012
- NSF/ANSI 372-2011 (LEAD FREE)



Information continues on next page

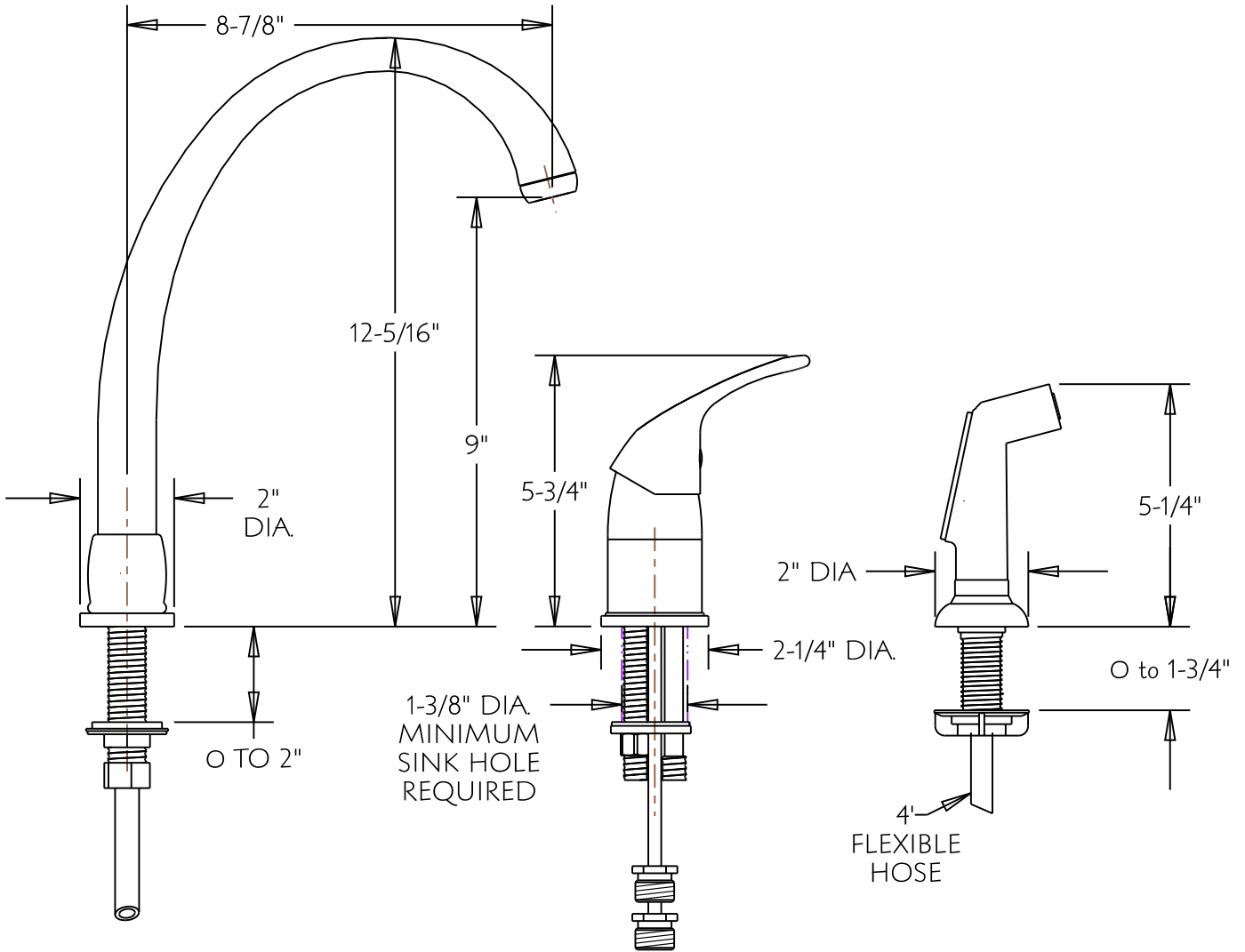
All dimensions are in inches (millimeters) unless otherwise specified and are subject to change without notice.

Architect/Engineer Approval Space:

P: 800-537-2107  
F: 800-977-2747  
W: WWW.SPEAKMAN.COM  
R: 01-DECEMBER 2018

# W5155C

Sarana Single Handle Kitchen Faucet w/ Hi-Rise Spout, Side Spray



All dimensions are in inches (millimeters) unless otherwise specified and are subject to change without notice.

Architect/Engineer Approval Space:

P: 800-537-2107  
F: 800-977-2747  
W: WWW.SPEAKMAN.COM  
R: 01-DECEMBER 2018