

W8110C

Bellingham Single Handle Centerset Bathroom Faucet
w/ Pop-up



MODELS:

- W8110C: Chrome
- W8110BN: Brush Nickel

FAUCET CONSTRUCTION:

- 35mm ceramic disk cartridge with hot limit adjustment ring.
- Plastic underbody with 20" braided s.s. supplies.
- Stainless steel throat plate
- Zamac#3 chrome plated metal handle.
- 3/8" Female compression inlet threads.
- Plastic pop-up assembly.

OPERATION:

- Single control lever handle.
- Requires less than 5 lb force to operate valve.
- Temperature adjustment 90° from full hot to full cold.
- 1.2 GPM energy saving aerator.

STOCK FINISH:



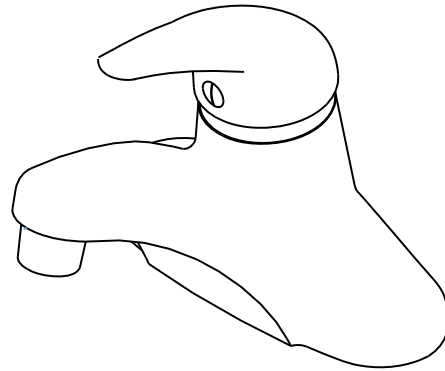
PC BN

STANDARDS:

- LOW LEAD COMPLIANT (0.25% Pb MAX).
- Designed and manufactured to comply with CSA B-125, ASME A112.18.1M and ADA STANDARDS.

MOUNTING SURFACE REQUIREMENTS:

- Surface thickness 1" maximum.
- Three 1-1/4" diameter holes (2" on centers).



Information continues on next page

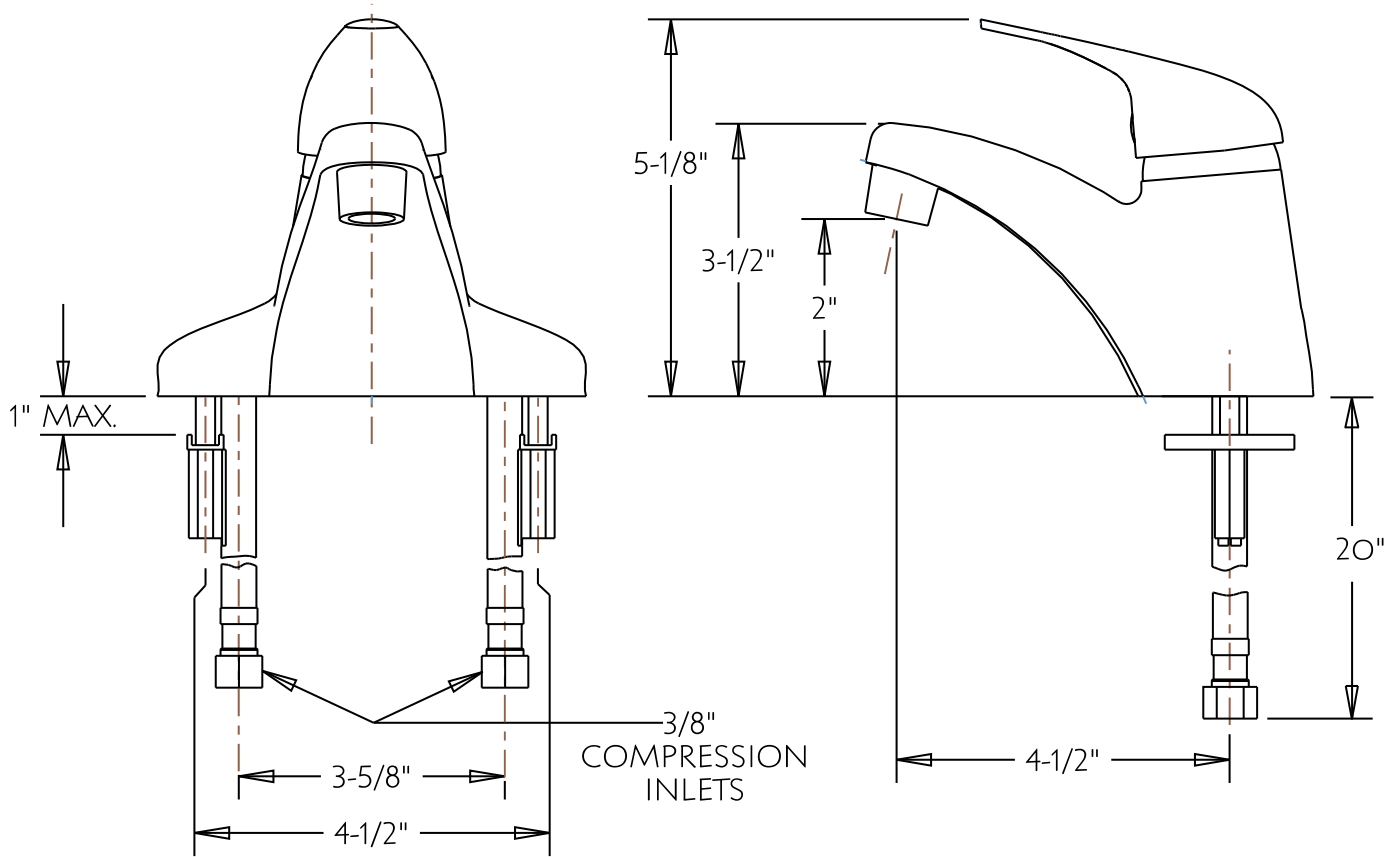
All dimensions are in inches (millimeters) unless otherwise specified and are subject to change without notice.

Architect/Engineer Approval Space:

P: 800-537-2107
F: 800-977-2747
W: WWW.SPEAKMAN.COM
R: 02-FEBRUARY 2019

W8110C

Bellingham Single Handle Centerset Bathroom Faucet
w/ Pop-up



All dimensions are in inches (millimeters) unless otherwise specified and are subject to change without notice.

Architect/Engineer Approval Space:

P: 800-537-2107
F: 800-977-2747
W: WWW.SPEAKMAN.COM
R: 01-FEBRUARY 2018