

# W9142C

Winchester Two Handle Non-Pressure Balance Tub & Shower

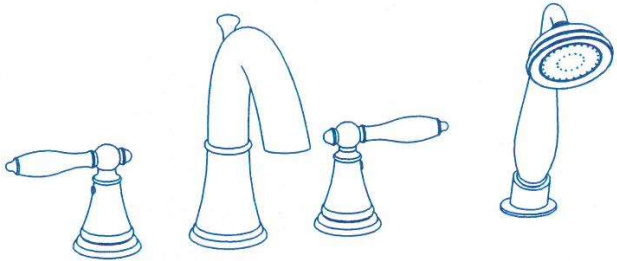


## MODELS:

- W9142C: Chrome
- W9142BN: Brush Nickel
- W9142OB: Oil Rub Bronze

## FAUCET CONSTRUCTION:

- Ceramic disc cartridges.
- Solid brass faucet underbody.
- Solid brass chrome plated spout.
- Plated metal handles.
- Plated metal spray wand
- 1/2" IPS inlet threads.



## OPERATION:

- Twin lever handles.
- Handles require less than 5 lb. force to operate valve.
- 90° turn from full off to full on.

## STOCK FINISH:



## STANDARDS:

IAPMO/UPC CERTIFIED:

- ASME A112.18.1-2012/CSA B125.1-12



## MOUNTING SURFACE REQUIREMENTS:

- Surface thickness 1" maximum.
- Four 1-1/4" min to 1-1/2" max dia holes.

Information continues on next page

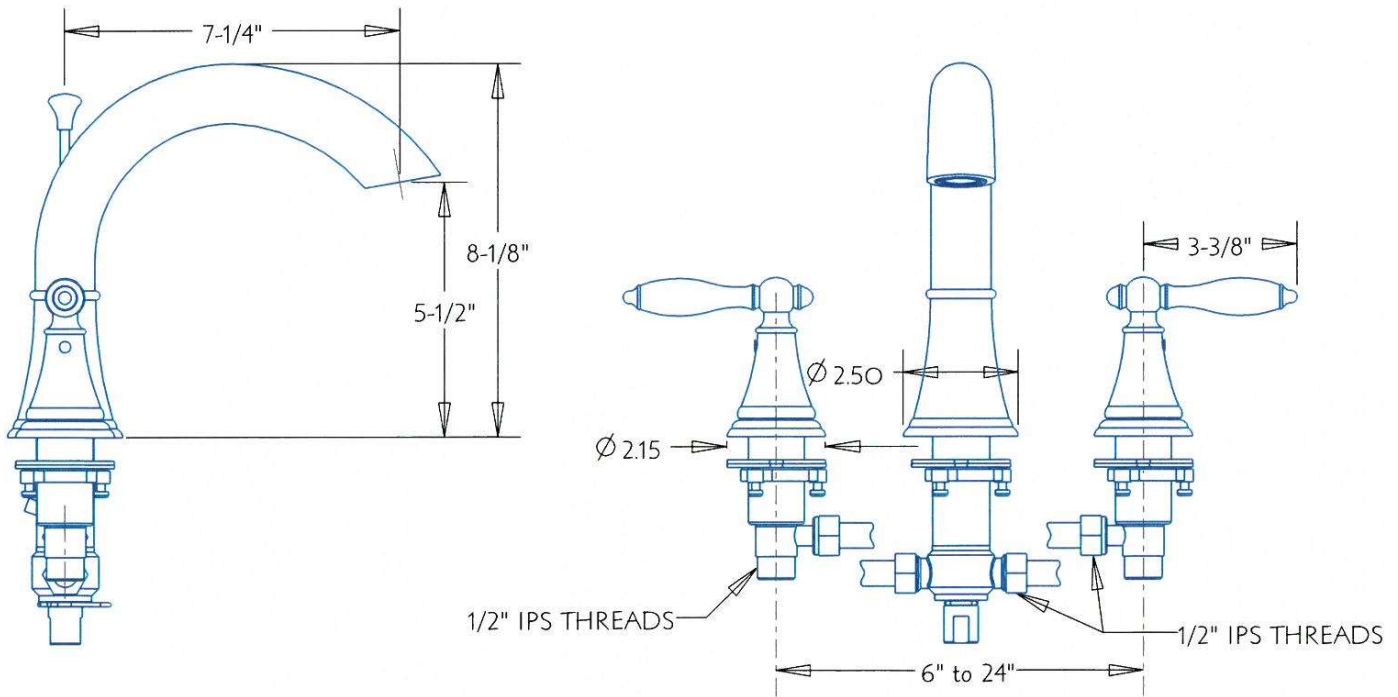
All dimensions are in inches (millimeters) unless otherwise specified and are subject to change without notice.

Architect/Engineer Approval Space:

P: 800-537-2107  
F: 800-977-2747  
W: WWW.SPEAKMAN.COM  
R: 01-FEBRUARY 2018

# W9142C

Winchester Two Handle Non-Pressure Balance  
Tub & Shower



All dimensions are in inches (millimeters) unless otherwise specified and are subject to change without notice.

Architect/Engineer Approval Space:

P: 800-537-2107  
F: 800-977-2747  
W: WWW.SPEAKMAN.COM  
R: 01-FEBRUARY 2018