

W9151C

Winchester Single Handle Kitchen Faucet,
Pull-Down Spray

WINDON BAY

MODELS:

- W9151C: Chrome
- W9151BN: Brush Nickel
- W9151OB: Oil Rub Bronze

FAUCET CONSTRUCTION:

- Ceramic disk cartridges.
- Plated metal body and handle.
- Plated tubular brass spout.
- 1/2" IPS threaded brass inlets.
- Check valve in spray wand.
- Nylon braided spray hose.

OPERATION:

- Single lever handle.
- Lever handle requires less than 5 lb. force to operate valve.
- 2 Function pull down spray wand.
- 1.8 GPM (6.8 L/min) aerator.

STOCK FINISH:



PC BN OB

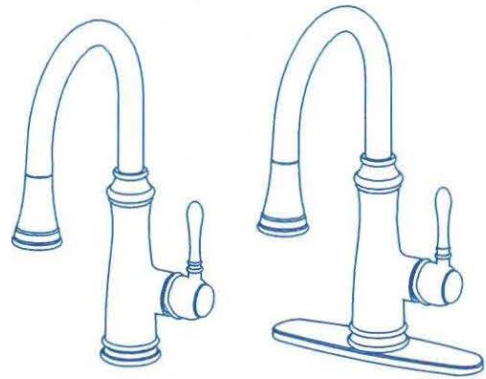
STANDARDS:

IAPMO/UPC CERTIFIED:

- ASME A112.18.1-2012/CSA B125.1-12
- NSF/ANSI 61-2012
- NSF/ANSI 372-2011 (LEAD FREE)

MOUNTING SURFACE REQUIREMENTS:

- Surface thickness 1-3/4" maximum.
- One (1-3/8" min to 1-5/8" max dia) hole.
- Body flange diameter measures 2-5/8" for single hole mount applications.



Information continues on next page

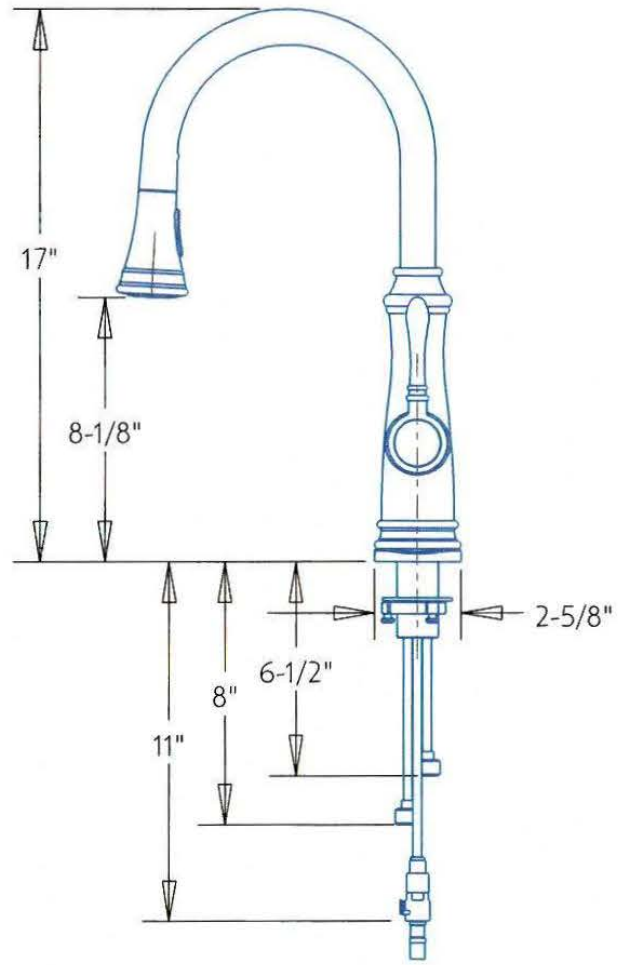
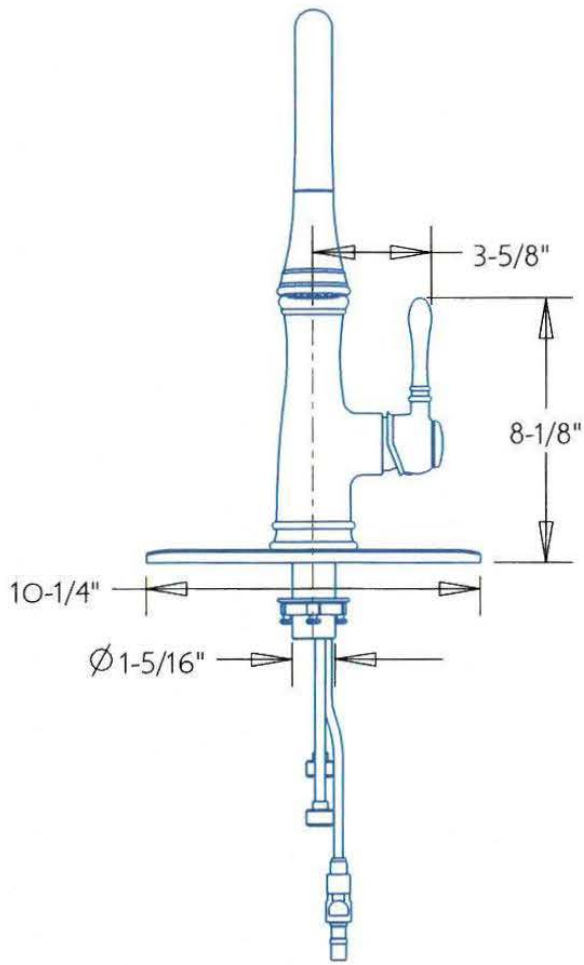
All dimensions are in inches (millimeters) unless otherwise specified and are subject to change without notice.

Architect/Engineer Approval Space:

P: 800-537-2107
F: 800-977-2747
W: WWW.SPEAKMAN.COM
R: 01-DECEMBER 2018

W9151C

Winchester Single Handle Kitchen Faucet,
Pull-Down Spray



All dimensions are in inches (millimeters) unless otherwise specified and are subject to change without notice.

Architect/Engineer Approval Space:

P: 800-537-2107
F: 800-977-2747
W: WWW.SPEAKMAN.COM
R: 01-DECEMBER 2018