

W9154C

Winchester Two Handle Kitchen Faucet, Side Spray

WINDON BAY

MODELS:

- W9154C: Chrome
- W9154BN: Brush Nickel

FAUCET CONSTRUCTION:

- Ceramic disk cartridges.
- Machined brass underbody.
- Plated tubular brass spout.
- Plated stainless steel deck plate
- Plated metal handles.
- Plastic putty plate
- 1/2" IPS threaded brass inlets.
- Nylon braided side spray hose

OPERATION:

- Twin lever handle.
- Lever handles require less than 5 lb. force to operate valve.
- 90° turn from full off to full on.
- 1.8 GPM (6.8 L/min) aerator.

STOCK FINISH:



PC BN

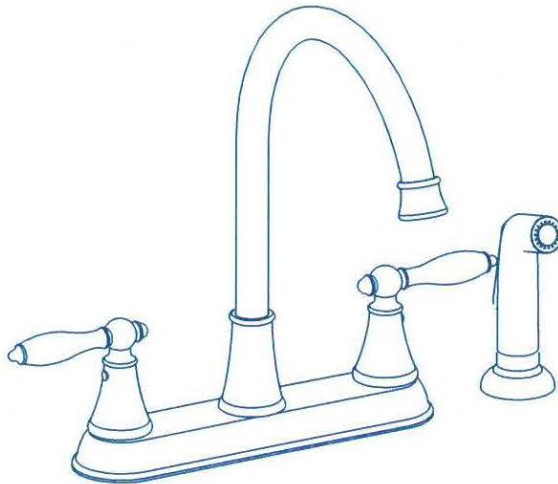
STANDARDS:

IAPMO/UPC CERTIFIED:

- ASME A112.18.1-2012/CSA B125.1-12
- NSF/ANSI 61-2012
- NSF/ANSI 372-2011 (LEAD FREE)

MOUNTING SURFACE REQUIREMENTS:

- Surface thickness 1-1/4" maximum.
- Three (1-1/8" min to 1-1/2" max dia) holes 4" on center.



Information continues on next page

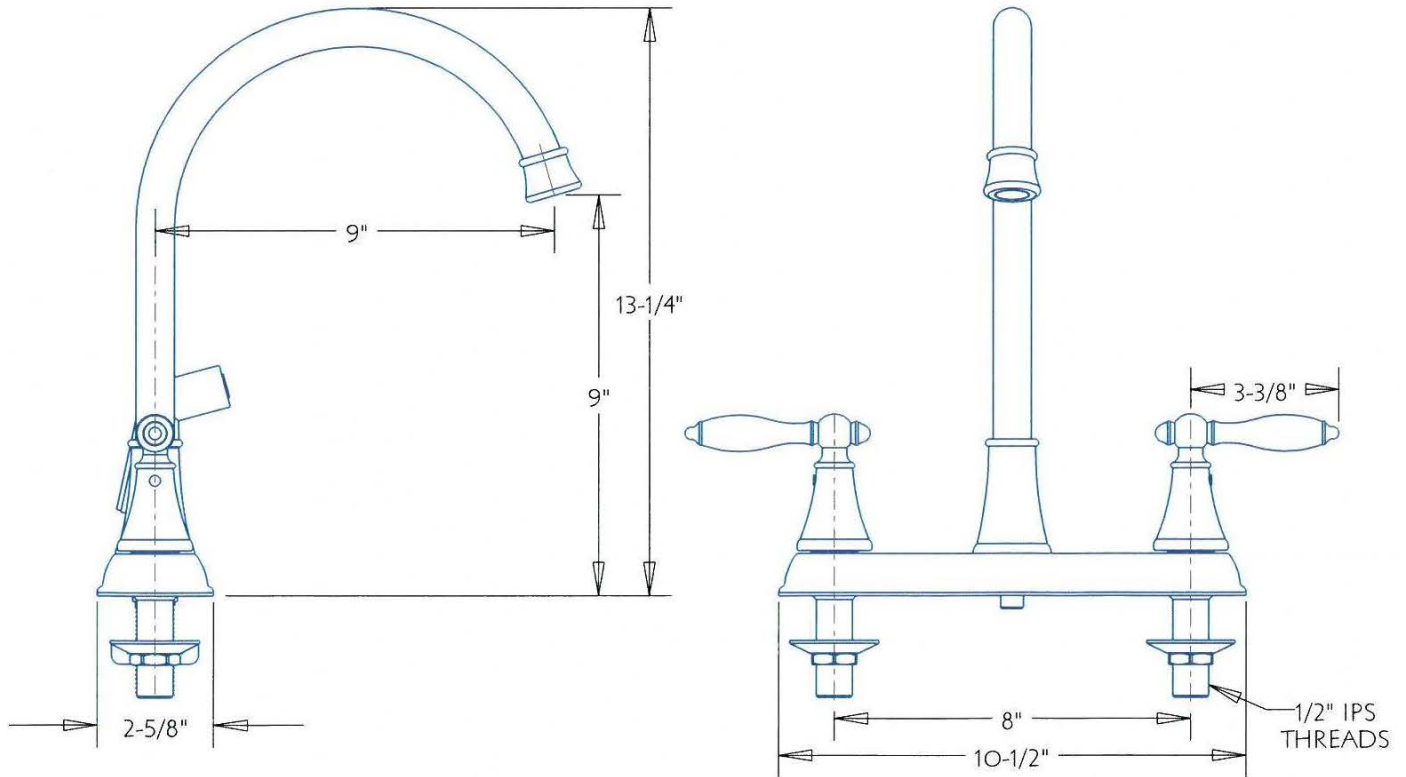
All dimensions are in inches (millimeters) unless otherwise specified and are subject to change without notice.

Architect/Engineer Approval Space:

P: 800-537-2107
F: 800-977-2747
W: WWW.SPEAKMAN.COM
R: 01-DECEMBER 2018

W9154C

Winchester Two Handle Kitchen Faucet, Side Spray



All dimensions are in inches (millimeters) unless otherwise specified and are subject to change without notice.

Architect/Engineer Approval Space:

P: 800-537-2107
F: 800-977-2747
W: WWW.SPEAKMAN.COM
R: 01-DECEMBER 2018