

# W87750

Fill Valve



## MODELS:

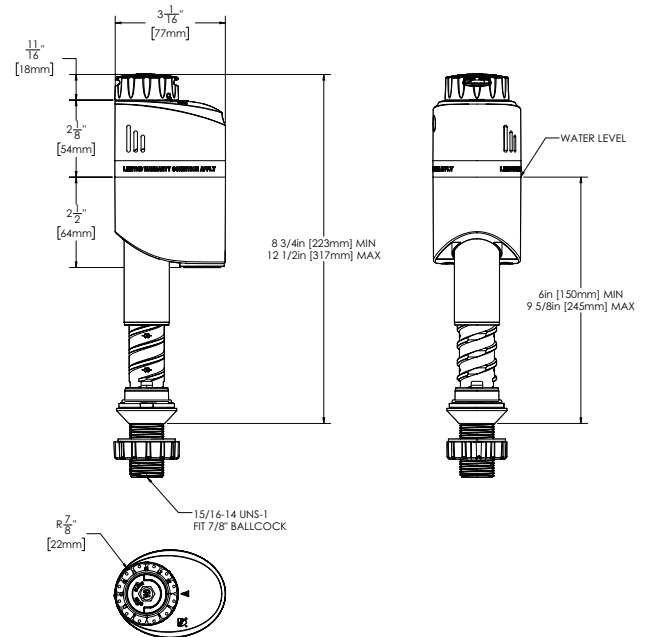
- W87750: Fill Valve w/ Plastic Shank
- W87751: Fill Valve w/ Brass Shank

## FEATURES:

- Reliable, Trouble-free Performance - Unique compact design features anti-siphon technology with a patented water shutdown mechanism
- Easy-Clean Filter - Conveniently located on the top of the valve; no need to remove the water supply line
- Water indicator Color band is the water level line indicator
- Quick-Adjust Valve Height - Rotate the top knob to dial-in the desired water level. (1mm adjustment at each number)
- Quiet Operation - 40 DB noise level while in operation
- Quick Connect Nut: no tools needed

## WARRANTY:

- 7 year limited



All dimensions are in inches (millimeters) unless otherwise specified and are subject to change without notice.

Architect/Engineer Approval Space:

P: 800-537-2107  
F: 800-977-2747  
W: WWW.WINDONBAY.COM  
R: 01-DECEMBER 2020