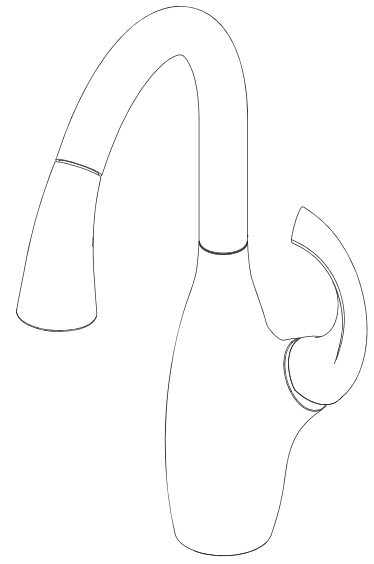


INSTALLATION GUIDE: PULL DOWN KITCHEN FAUCET



PRODUCT SPECS AND STANDARDS:

DESCRIPTION:

- Brass under body with flexible supplies.
- 9/16-24 UNF (3/8" Compression) hose ends
- Single Hole Mounting: Ø 1-1/4" Min to Ø 1-5/8" Max
- Maximum deck thickness: 2-13/16"

OPERATION:

- Requires less than 5LB force to operate valve
- Flow adjustment: 90° turn from full hot to full cold
- 1.8 GPM (6.8 L/min) Aerator/Spray

PRODUCT SPECS AND STANDARDS:

STANDARDS:

- ASME A112.18.1/CSA B125.1
- NSF/ANSI 61
- NSF/ANSI 372
- CEC (CALIFORNIA ENERGY COMMISSION)

WARRANTY:

- 25 Year drip-free warranty
- Product to be free of defects in material or workmanship

NOTE:

While your faucet may differ in appearance to item shown, it will install in the same manner.

CLEANING INSTRUCTIONS:

Use only a clean, soft cloth, water, and mild hand soap to clean unit.

WARNING: Do NOT use abrasive cleaners, chemicals, or abrasive cleaning pads to clean fixture. A very hard protective coating has been applied to this product to maintain its appearance, but this product could be damaged with improper cleaning. Failure to follow cleaning instructions will void product warranty.

PRODUCT WARRANTY:

Windon Bay faucets have been manufactured to our high quality standards and workmanship. **The warranty covers defects in materials and/ or workmanship to the original purchaser/home owner (warranty is not transferable to another person).** The faucet is warranted to remain drip-free during normal use. All parts and finishes will be free from manufacturing defects. With the exception of items listed below, this product has a limited warranty against defects in materials or workmanship for a period of 1 year from the date of purchase. The warranty is voided if the product is found to be misused or the following cleaning instructions were not followed. Damage due to accidents or installation is not warranted.

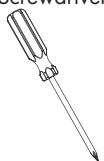
1. Faucet valve cartridges have a limited warranty for a period of 25 years from the date of purchase. This date is stamped on the valve cartridge.
2. Product finish has a limited warranty for a period of 25 years from the date of purchase. Failure to follow the cleaning instructions listed below voids all finish warranty. Damage due to accidents or installation is not warranted.

This warranty covers replacement of cartridges, parts and finish only. It does not include labor charges and/or damage incurred during installation. Windon Bay will provide free of charge all parts and cartridges found to be covered under the warranty; any part that proves defective in material and/or workmanship under normal installation, use and service. Finish warranty is not covered if finish is exposed to extreme use of cleaners containing abrasives and alcohol, extreme cleaning, extreme chemical use, or any damage due to abuse or neglect (Oil Rubbed Bronze and Matte Black finish is warranted for 1 year).

**Please see cleaning instructions provided with each faucet. This warranty excludes all industrial, commercial, and business usage of faucets and only pertains to single dwelling residential use. Faucets used for other than single dwelling residential use are covered by a 1-year limited warranty from the date of purchase.

HELPFUL TOOLS

Phillips
Screwdriver



Adjustable
Wrench



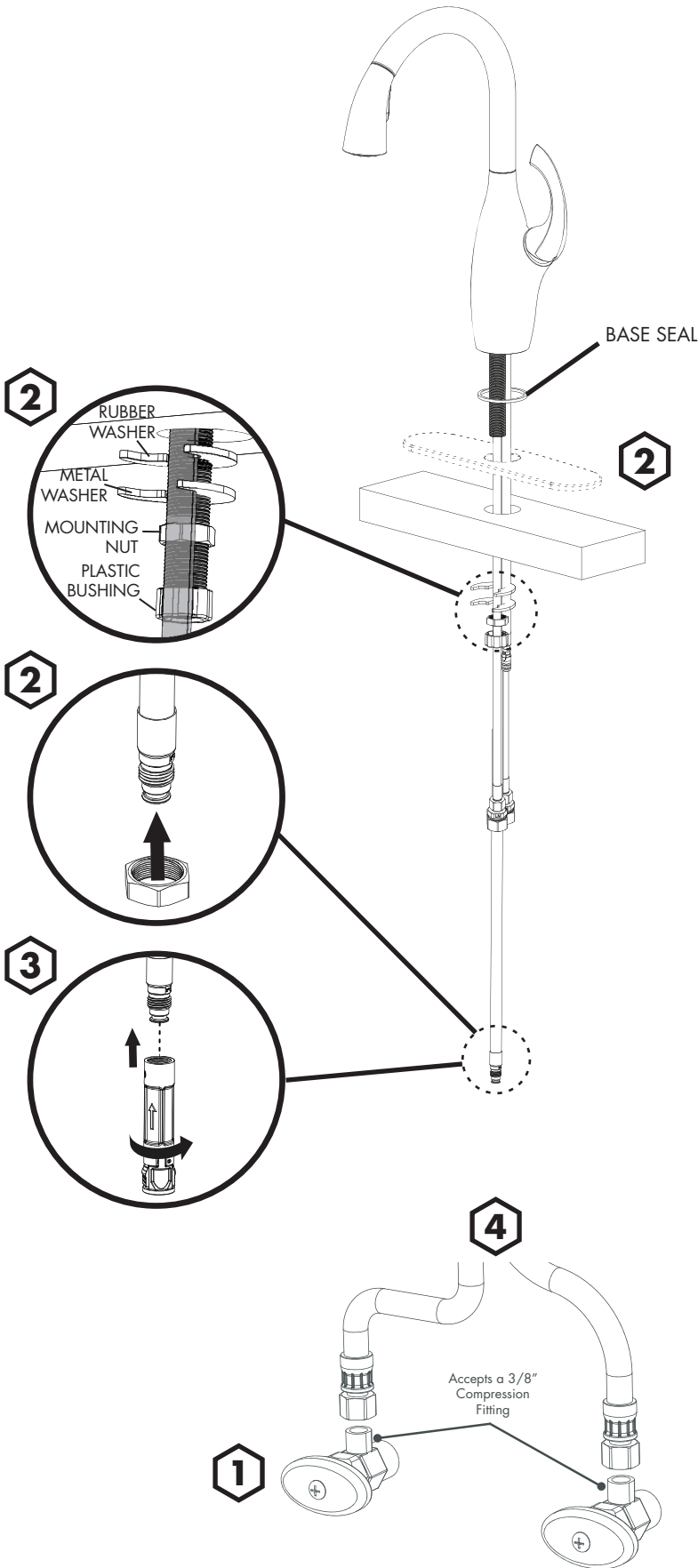
Safety
Glasses



5 Gallon
Bucket

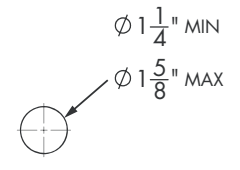


INSTALLATION GUIDE: PULL DOWN KITCHEN FAUCET



1 TURN OFF WATER SUPPLIES.
 Ensure mounting surface requirements are as follows:

- Single Hole Mounting: \varnothing 1-1/4" Min to \varnothing 1-5/8" Max
- Max Deck Thickness: 2-13/16"



2 MOUNT UNIT ON KITCHEN SINK.
 Verify Base Seal is properly located in base of Faucet. Place Hoses one at a time through mounting hole. Lower Faucet into position. If installing optional deckplate, place hoses through deckplate first.

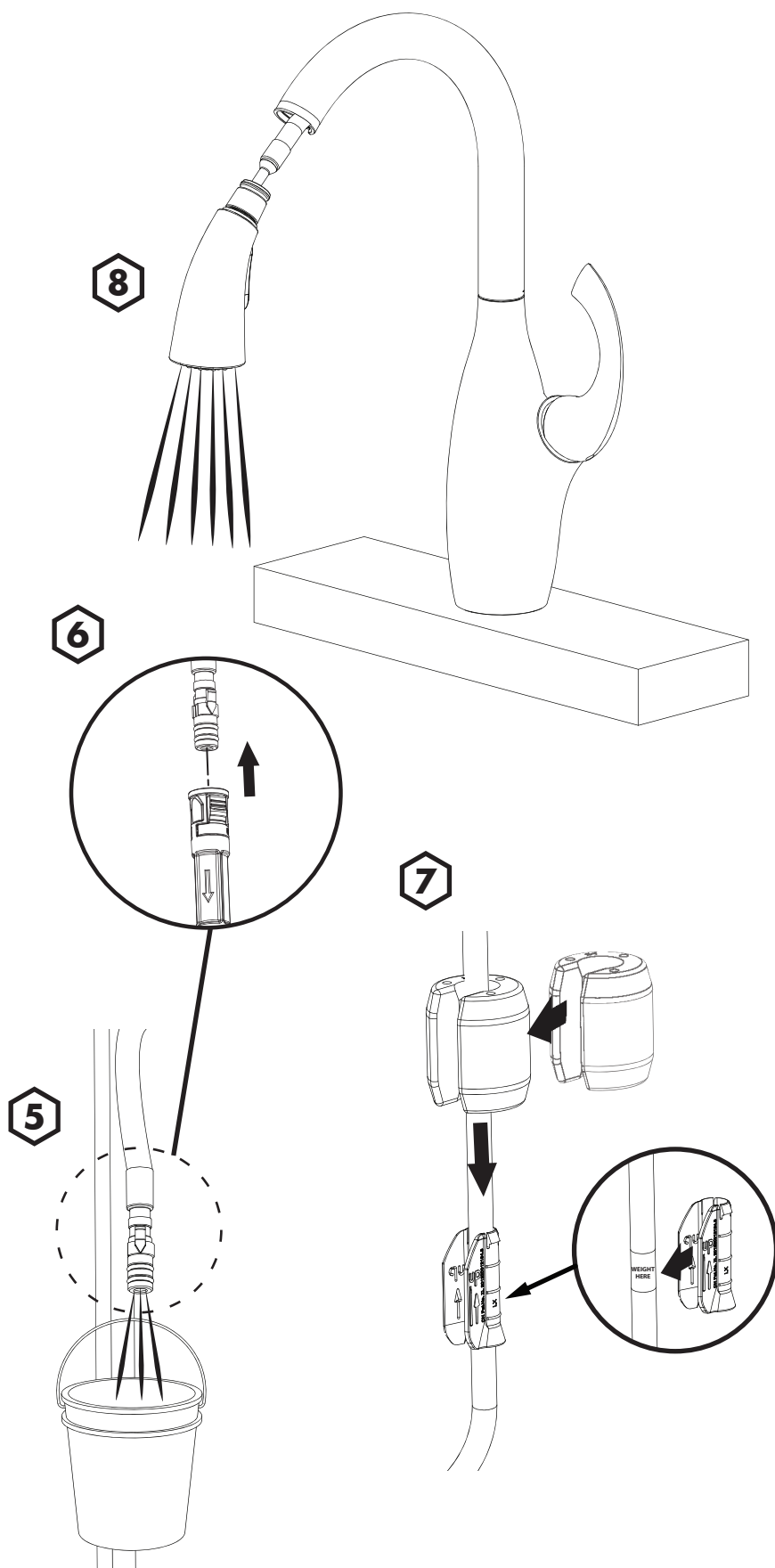
- Position the Pull Down Hose through the Mounting Nut. Install the Rubber Washer, Metal Washer to the Shank and secure into position with Mounting Nut.
- Align Faucet to desired position and tighten Mounting Nut with Adjustable Wrench. Do not over-tighten.
- Hand tighten the Plastic Bushing to the bottom of the Shank. Do not over-tighten.

3 INSTALL QUICK CONNECTOR.
 Screw Quick Connector onto inlet of Pull Down Hose by turning in a clockwise direction and hand tighten. Make sure arrow on Quick Connector is facing up.

4 ASSEMBLE WATER SUPPLY LINES.
 • Make connections to water supplies. The inlet threads of the faucet are 9/16"-24 UNF and will accept a 3/8" Compression Fitting. Wrench Tighten. Do not over-tighten.

*SUPPLY STOPS NOT INCLUDED

INSTALLATION GUIDE: PULL DOWN KITCHEN FAUCET




5 TURN ON WATER AND FLUSH THE SPRAY HOSE.
Place the spray hose (exiting from base of faucet) into a bucket. Turn ON water supplies. Flush both HOT and COLD water for 1 minute into the bucket.

6 CONNECT THE SPRAY HOSE.
Turn OFF water supplies. Connect the spray hose to the outlet hose. This is a push to connect connection. Make sure to push the hose completely into the outlet fitting.

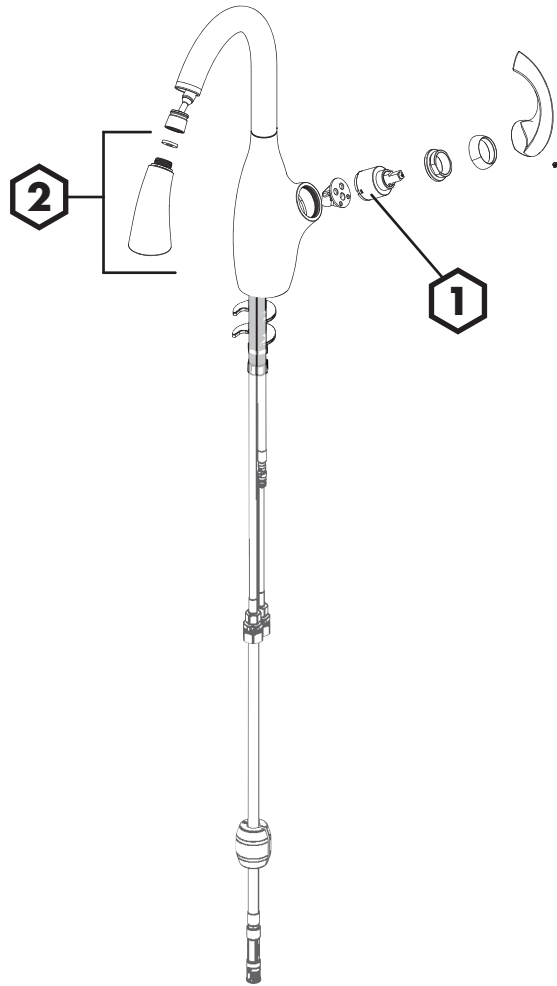
7 INSTALL WEIGHT CLIP.

- Install the Weight Clip at the point of the hose marked "Weight Here".
- Insert the Weight onto the Clip by sliding it down onto the Clip.

8 CONFIRM PROPER INSTALLATION
Remove Spray Head from faucet. Turn on Water Supplies and flush system for 1 minute. Reassemble Spray Head to faucet. Activate faucet and inspect for leaks at all connections.

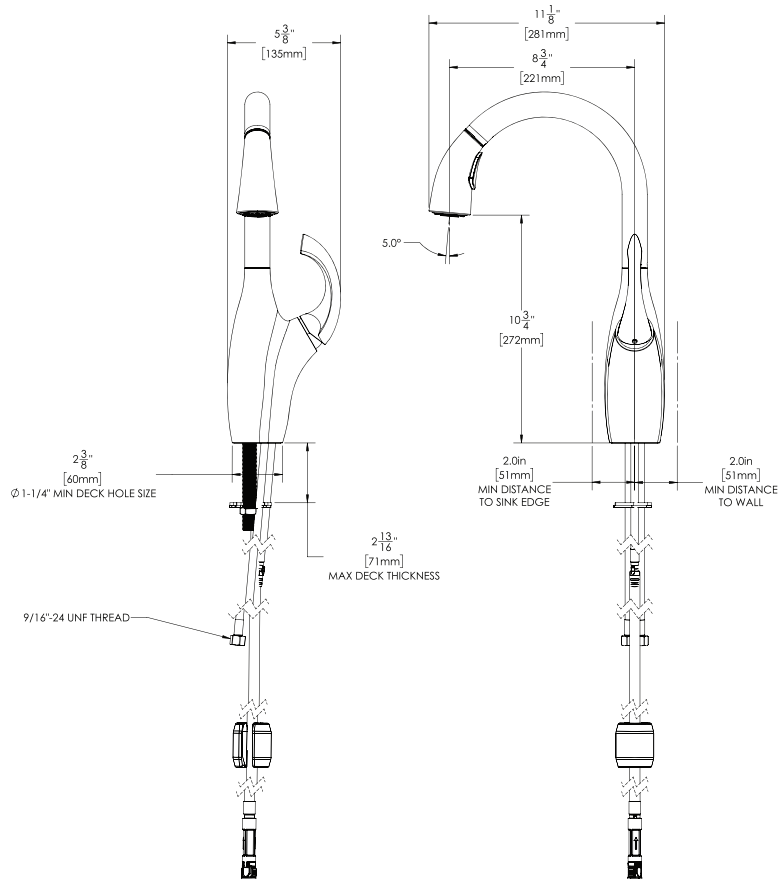
 **CALIFORNIA PROPOSITION 65:**
WARNING: This product can expose you to chemicals including lead, which is known to the State of California to cause cancer and birth defects or other reproductive harm. For more information go to [www. P65Warnings.ca.gov](http://www.P65Warnings.ca.gov).
Wash hands after installation, repair, or removal of this product.

REPAIR PARTS: COMMERCIAL KITCHEN FAUCET



- 1** **RPG05-112985**
CARTRIDGE
- 2** **RPG05-112986-XX (XX=FINISH)**
SPRAYHEAD ASSEMBLY WITH SEAL

ROUGH-IN DIAGRAM: COMMERCIAL KITCHEN FAUCET



ALL DIMENSIONS ARE IN INCHES (MILLIMETERS) UNLESS OTHERWISE SPECIFIED. DIMENSIONS SUBJECT TO CHANGE WITHOUT NOTICE.